

**INTRODUCTION**

AP-GXC-0100: 1 PoE IN - to - 1 PoE OUT.  
AP-GXC-0200: 1 PoE IN - to - 2 PoE OUT.

The AP-GXC-0100 & AP-GXC-0200 is a Gigabit PoE Extender capable of receiving 30W/60W/90W power from PSE. Multiple extenders can be cascaded to increase the cabling distance.

**PACKAGE CONTENTS**

• 1x PoE Extender	• 1x Quick Installation Guide
-------------------	-------------------------------

**IMPORTANT:**

1. Install the device in a ventilated and dry place, that is free of electromagnetic source, vibration, moisture, and dust.
2. Make sure the ventilation openings on the extender are not blocked.
3. Use CAT.5e or 6 UTP/STP cables. Avoid using low-quality cables, which will seriously limit the cabling distance.

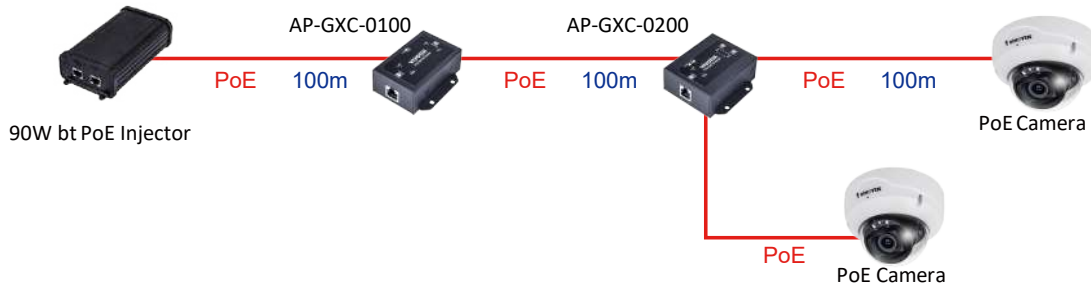
**CONNECTION**

Following are the conditions for making the cabling:

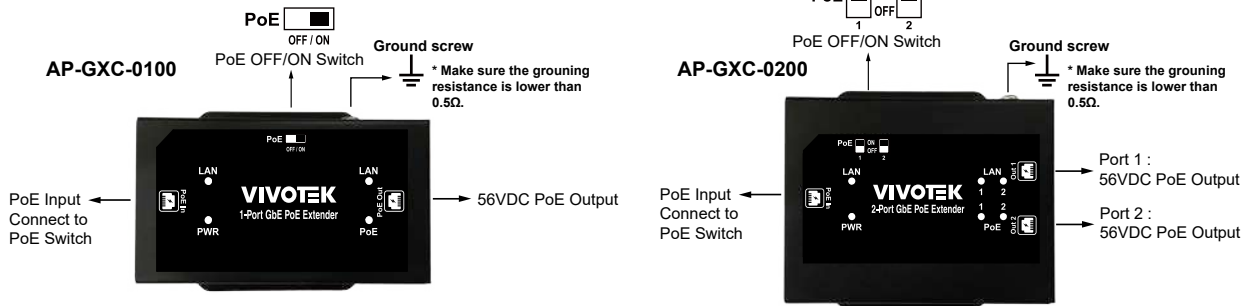
1. Use 18~19Ω, 24AWG CAT.5e cables.
2. Typical cameras stream size feature = 1080p@30fps - 6Mbps; 720p@30fps - 3Mbps.

Make sure the combined bandwidth consumption does not exceed the uplink bandwidth from the PoE switch.

NOTE: There are power losses due to cable resistance.



**INSTALLATION**



**LED DEFINITIONS**

<b>PWR</b>	Green ON	PoE IN port is connected to PSE.
	OFF	No PoE IN connection.
<b>PoE</b>	Green ON	Power over ethernet cable status
	OFF	Ethernet cable no Power
<b>LAN</b>	Green ON	Data link is detected.
	Green Flashing	Data is being transmitted or received.
	OFF	Link is not detected.

**PoE DIP SWITCH DEFINITIONS**

AP-GXC-0100

<b>DIP#</b>	ON	Turn on PoE output for the PoE out port.
	OFF	Turn off PoE output for the PoE out port.

AP-GXC-0200

<b>Pin 1</b>	ON	Port 1 Turn on PoE output
	OFF	Port 1 Turn off PoE output
<b>Pin 2</b>	ON	Port 2 Turn on PoE output
	OFF	Port 2 Turn off PoE output

\*\*If the device that is going to be connected to this extender is not PoE PD, please turn off the PoE output function.\*\*