

Mobile Intercom User's Manual

Version 1.0.0

Welcome

Thank you for purchasing our device!

This user's manual will help you become familiar with our device in a very short time.

Before installation and operation, please read the following safeguard and warning carefully!

Important Safeguard and Warning

1 . Electrical safety

All installation and operation here should conform to your local electrical safety codes.

We assume no liability or responsibility for all the fires or electrical shock caused by improper handling or installation.

2 . Transportation security

Heavy stress, violent vibration or water splash are not allowed during transportation, storage and installation.

3 . Installation

Keep upwards. Handle with care.

Do not apply power to the device before completing installation.

Do not place objects on the device.

4 . Qualified engineers needed

All the examination and repair work should be done by the qualified service engineers.

We are not liable for any problems caused by unauthorized modifications or attempted repair.

5 . Environment

The device should be installed in a cool, dry place away from direct sunlight, inflammable, explosive substances and etc.

6. Accessories

Be sure to use all the accessories recommended by manufacturer.

Before installation, please open the package and check all the components are included:

Contact your local retailer ASAP if something is missing in your package.



Important

- Check the cable connection is OK or not before connecting the device to the power. Otherwise, it may damage the device or affect the operation effect.
- When there is welding work on the vehicle, do not use the device. It is to protect the electronic components.

1 Product Introduction

Note: All the installation and operations here should conform to your local electric safety rules.

1.1 Overview

Mobile Intercom works with DVR/NVR. It is suitable to realize the full duplex bidirectional talk between the driver and the surveillance center.

1.2 Appearance

The product is shown as below. See Figure 1-1.



Figure 1-1

1.3 Dimensions

Please refer to Figure 1-2 for dimension information. The unit is mm.

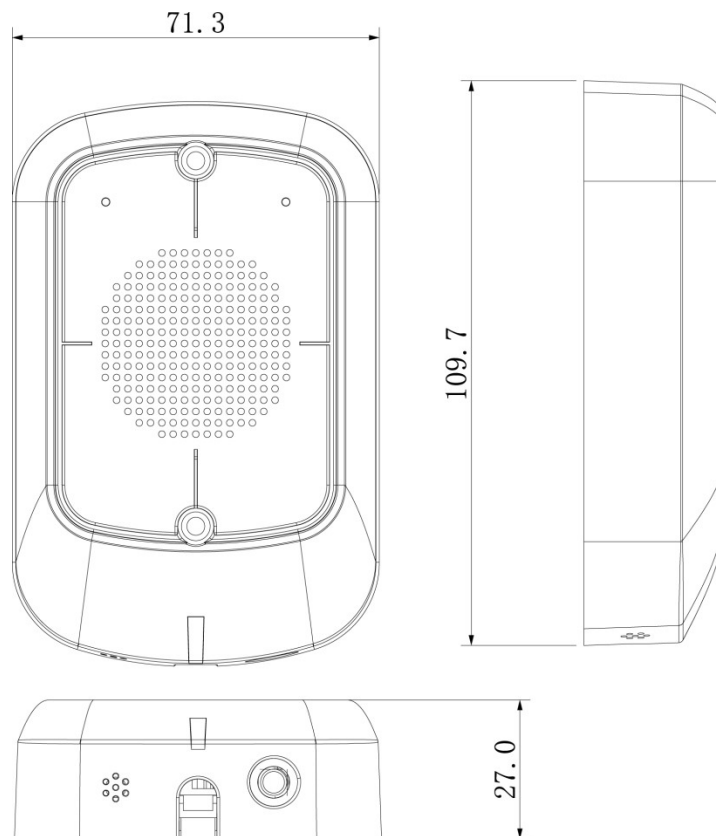


Figure 1-2

1.4 Features

- Neat and compact body, easy to move.
- Click button to trigger DVR/NVR to start bidirectional talk with the platform.
- Support amplifier function to drive the loudspeaker on the vehicle.
- Standard aviation port, connection and installation are easy and reliable.

2 Installation and Connection

2.1 Installation

2.1.1 Bracket Installation

Refer to Figure 2-1 to install the bracket.

1. Dig holes on the vehicle according to the installation map (1 in Figure 2-1).
2. Insert the expansion bolt on the hole.
3. Use screws (4 in Figure 2-1) to secure the bracket (3 in Figure 2-1) on the vehicle.
4. Turn the intercom (5 in Figure 2-1) to fix it on the bracket (3 in Figure 2-1).

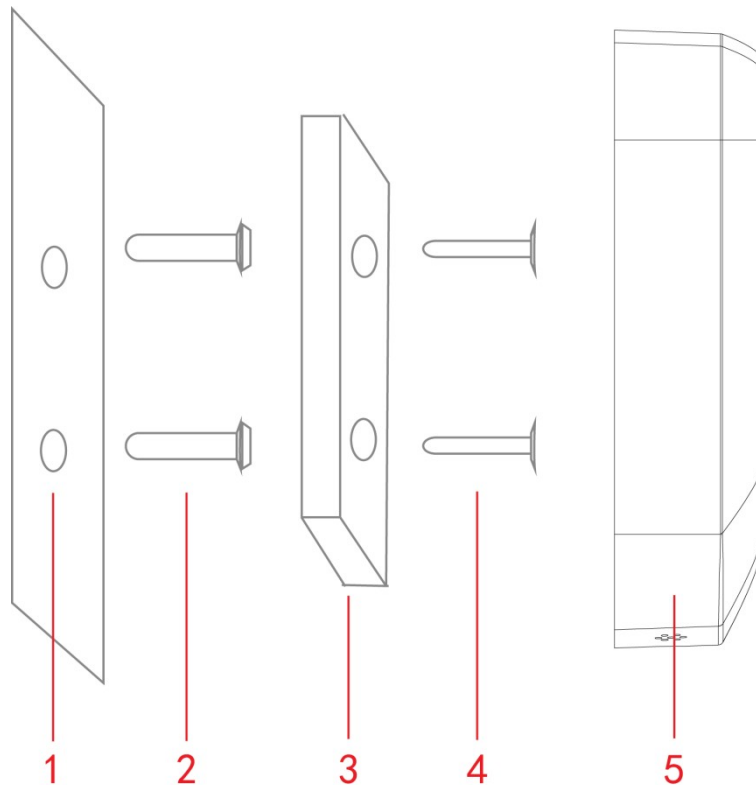


Figure 2-1

2.1.2 Screws Installation

Use the self-tapping screws (provided) to secure the intercom on the vehicle. See Figure 2-2.

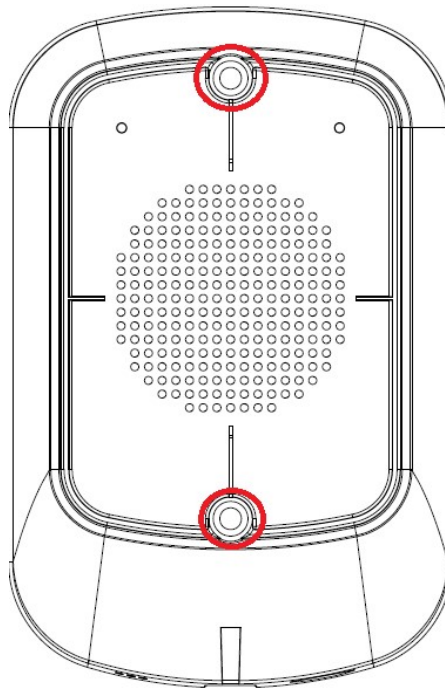


Figure 2-2

2.2 Connection

The mobile intercom and the DVR/NVR connection have two modes. Full duplex bidirectional talk connection cable. See Figure 2-3.

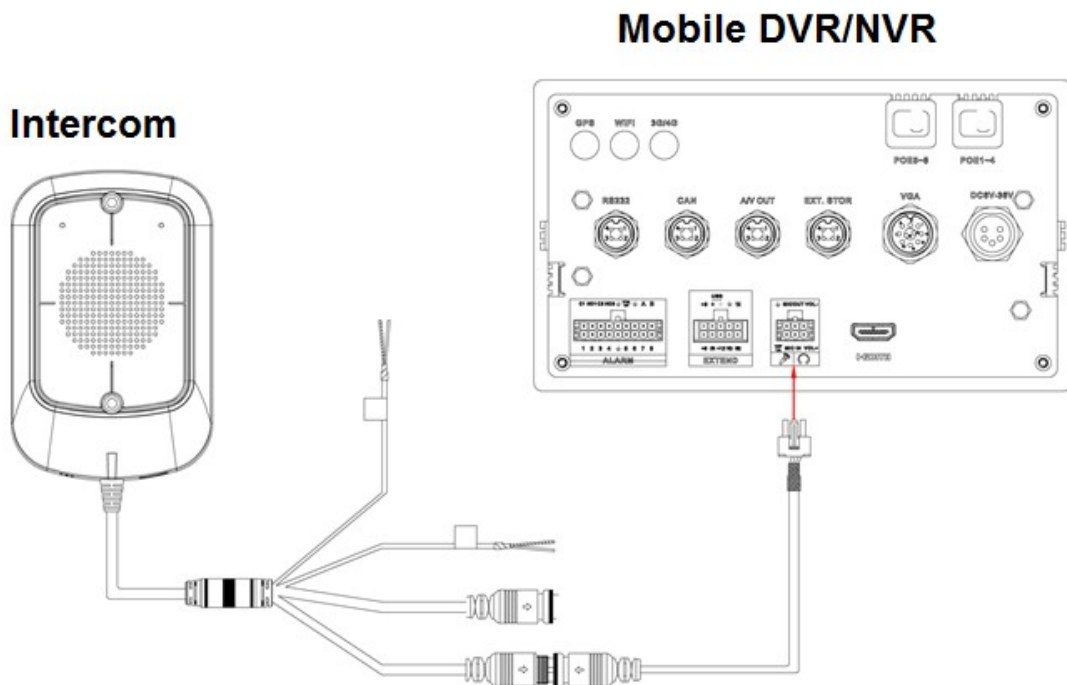


Figure 2-3

Full duplex bidirectional talk (+vehicle loudspeaker output)cable connection is shown as below.
See Figure 2-4.

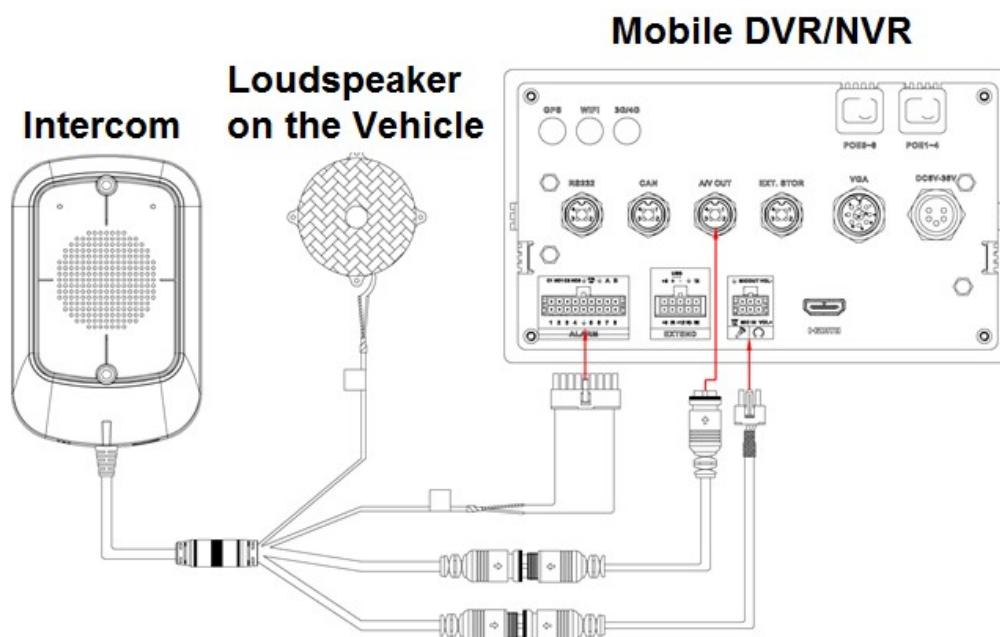




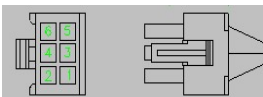


Figure 2-4

2.3 Port definition

SN	Socket Type	Socket Image	Pin Definition	
1	4-pin M12 aviation female port		1. NC	NC
			2. GND	GND
			3. Audio Input	AUDIO_IN
			4. NC	NC
2	6-pin M12 aviation male port		1. Audio Output	SPK_OUT
			2. Signal GND	GND
			3. Audio Input	MIC_IN
			4. Simulation GND	PGND
			5. Power 12V	12V
			6. Simulation 12V	12V_P
3	Black and white bare wire		1. GND	GND (Black)
			2. Alarm activation	ALARM (White)
4	Green and white bare wire		1. Audio Output+	VOICE_OUT+ (Green)
			2. Audio Output -	VOICE_OUT- (White)
5	6-pin black port		1. Power 12V	12V
			2. Signal GND	GND
			3. Audio Input	MIC_IN
			4. Audio Output	SPK_OUT

3 Functions

3.1 Buttons

Refer to Figure 3-1 for buttons information.



Figure 3-1

Button	Introduction
Alarm /call platform	Press the button to call the platform, the indicator light is on. Press the button again, cancel the alarm/call the platform.
Microphone	Press the button, the indicator light is on. Now it can speak via the device MIC and output to the peripheral loudspeaker. Now the volume button can control the peripheral loudspeaker volume. Press the button again to close the microphone.
Volume+	Increase volume.
Volume-	Decrease volume.

3.2 Full Duplex Bidirectional Talk

Refer to Figure 2-3, login the DVR/NVR to open audio talk function. It can start DVR/NVR full duplex bidirectional talk.

3.3 Peripheral Amplifier Driver

Refer to Figure 2-4, press the Microphone button, the microphone indicator light is on. Now the peripheral microphone audio is from the local MIC. If the microphone indicator light is off, the audio is from the A/V OUT port of the DVR/NVR.

3.4 Peripheral MIC

Standard 3.5mm audio port. When there is a peripheral MIC, the built-in MIC is null. The audio is from the peripheral MIC.

4 Specifications

Parameters	Name	Details
Function	Working Mode	Full duplex
	Operation Mode	Button
	Audio	1-channel audio input, 1-channel loudspeaker output
	Pickup Range	90cm
	Indicator Light	2
General	Voltage	DC 12V
	Power	≤1.5W
	Peripheral Loudspeaker Max Power	7W
	Working Temperature	-30°C ~ +70°C
	Working Humidity	0% ~ 90%
	Pressure Atmosphere	86kPa ~ 106kPa
	Case Dimension	109.7 (mm) × 71.3 (mm) × 27.0 (mm)
	Cable Length	Device fixture wire: 1700mm

Note

- Slight difference may be found in user interface. All the designs and software here are subject to change without prior written notice.
- All trademarks and registered trademarks mentioned are the properties of their respective owners.
- If there is any uncertainty or controversy, please refer to the final explanation of us.
- Please visit our website for more information.