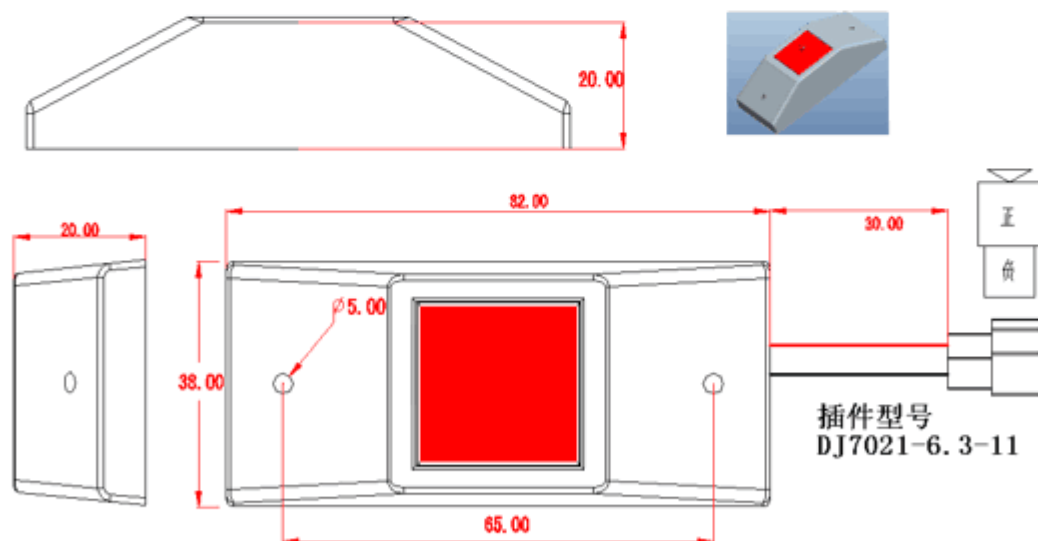
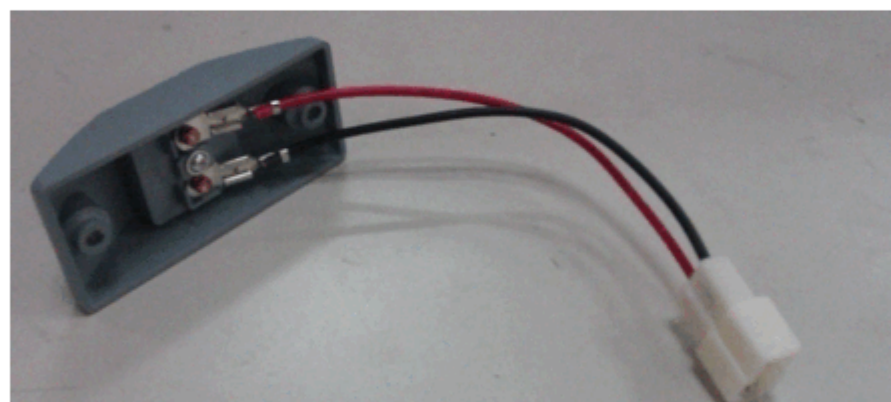
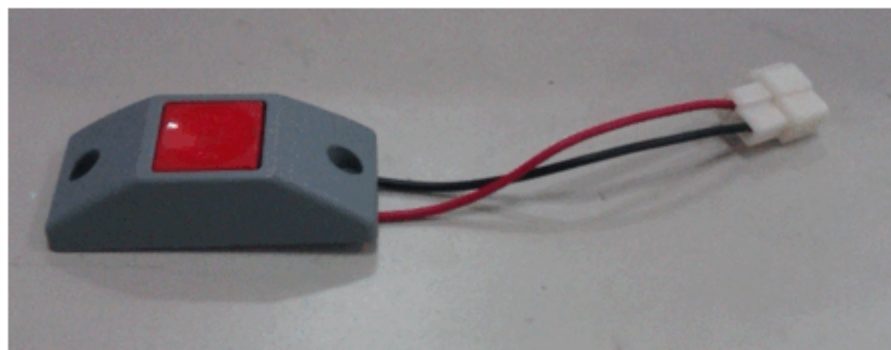




# Alarm switch specification

Physical does not contain connectors and cables. It needs its own distribution  
Recommended wiring is shown below :



## Alarm switch specification

Product Description :

Product Model RC978

The switch pressed to turn on , pop up is open circuit

Lead length  $30 \pm 0.5$  cm

Wiring connector type DJ7021-6.3-11