

Add-on Camera for Wire-Free Security System

Quick Start Guide






Foreword

General

This manual introduces the functions, configuration, general operation, and system maintenance of network camera.

Safety Instructions

The following categorized signal words with defined meaning might appear in the manual.

Signal Words	Meaning
 WARNING	Indicates a medium or low potential hazard which, if not avoided, could result in slight or moderate injury.
 CAUTION	Indicates a potential risk which, if not avoided, could result in property damage, data loss, lower performance, or unpredictable result.
 NOTE	Provides additional information as the emphasis and supplement to the text.

Revision History

Version	Revision Content	Release Date
V1.0.1	Added "6 FAQ".	April 2020
V1.0.0	First release.	October 2019

About the Manual

- The manual is for reference only. If there is inconsistency between the manual and the actual product, the actual product shall prevail.
- We are not liable for any loss caused by the operations that do not comply with the manual.
- The manual would be updated according to the latest laws and regulations of related jurisdictions. For detailed information, refer to the paper manual, CD-ROM, QR code or our official website. If there is inconsistency between paper manual and the electronic version, the electronic version shall prevail.
- All the designs and software are subject to change without prior written notice. The product updates might cause some differences between the actual product and the manual. Please contact the customer service for the latest program and supplementary documentation.
- There still might be deviation in technical data, functions and operations description, or errors in print. If there is any doubt or dispute, we reserve the right of final explanation.
- Upgrade the reader software or try other mainstream reader software if the manual (in PDF format) cannot be opened.
- All trademarks, registered trademarks and the company names in the manual are the properties of their respective owners.
- Please visit our website, contact the supplier or customer service if there is any problem occurring when using the device.
- If there is any uncertainty or controversy, we reserve the right of final explanation.

Important Safeguards and Warnings

Electrical Safety

- All installation and operation shall conform to your local electrical safety codes.
- The power source shall conform to the Safety Extra Low Voltage (SELV) standard, and supply power with rated voltage which conforms to Limited power Source requirement according to IEC60950-1. Note that the power supply requirement is subject to the device label.
- Make sure that the power supply is correct before operating the device.
- A readily accessible disconnecting device shall be incorporated in the building installation wiring.
- Prevent the power cable from being trampled or pressed, especially the plug, power socket and the junction extruded from the device.

Environment

- Do not aim the device at strong light to focus, such as lamp light and sun light; otherwise it might cause over brightness or light marks, which are not the device malfunction, and affect the longevity of Complementary Metal-Oxide Semiconductor (CMOS).
- Do not place the device in a damp, dusty extremely hot or cold environment, or the locations with strong electromagnetic radiation or unstable lighting.
- Keep the device away from any liquid to avoid damage to the internal components.
- Keep the indoor device away from rain or damp to avoid fire or lightning.
- Keep sound ventilation to avoid heat accumulation.
- Transport, use and store the device within the range of allowed humidity and temperature.
- Heavy stress, violent vibration or water splash are not allowed during transportation, storage and installation.
- Pack the device with standard factory packaging or the equivalent material when transporting the device.
- Install the device in the location where only the professional staff with relevant knowledge of safety guards and warnings can access. The accidental injury might happen to the non-professionals who enter the installation area when the device is operating normally.

Operation and Daily Maintenance

- Do not touch the heat dissipation component of the device to avoid scald.
- Carefully follow the instructions in the manual when performing any disassembly operation about the device; otherwise, it might cause water leakage or poor image quality due to unprofessional disassembly. Please contact after-sale service for desiccant replacement if there is condensed fog on the lens after unpacking or when the desiccant turns green. (Not all models are included with the desiccant).
- It is recommended to use the device together with lightning arrester to improve lightning protection effect.
- It is recommended to ground the device to enhance reliability.
- Do not touch the image sensor (CMOS) directly. Dust and dirt could be removed with air blower, or you can wipe the lens gently with soft cloth that is moistened with alcohol.
- You can clean the device body with soft dry cloth, and for stubborn stains, use the cloth with mild detergent. To avoid possible damage on device body coating which could cause

performance decrease, do not use volatile solvent such as alcohol, benzene, diluent and so on to clean the device body, nor can strong, abrasive detergent be used.

- Dome cover is an optical component. Do not touch or wipe the cover with your hands directly during installation or operation. For removing dust, grease or fingerprints, wipe gently with moistened oil-free cotton with diethyl or moisten soft cloth. You can also remove dust with an air blower.

 **WARNING**

- Strengthen the protection of network, device data and personal information by adopting measures which include but not limited to using strong password, modifying password regularly, upgrading firmware to the latest version, and isolating computer network. For some device with old firmware versions, the ONVIF password will not be modified automatically along with the modification of the system password, and you need to upgrade the firmware or manually update the ONVIF password.
- Use standard components or accessories provided by manufacturer and make sure that the device is installed and maintained by professional engineers.
- The surface of the image sensor should not be exposed to laser beam radiation in an environment where a laser beam device is used.
- Do not provide two or more power supply sources for the device unless otherwise specified. A failure to follow this instruction might cause damage to the device.

Table of Contents

Foreword	I
Important Safeguards and Warnings	II
1 Packing List	1
2 Camera Introduction	2
3 Installing Battery	4
4 Pairing with Base Station	5
5 Installing Camera	6
6 FAQ	7

1 Packing List



- Open the package and check if all the components are included before installation.
- Contact your local retailer if anything is broken in your package.

Figure 1-1 Packing list



Camera ×1



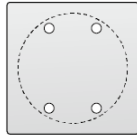
QSG ×1



Power Cable ×1



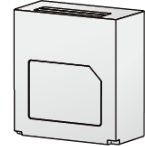
Bracket ×1



Positioning Map ×1



Screw Package ×1



Battery ×1

2 Camera Introduction

For the introduction of the device, see Figure 2-1 and Figure 2-2.

Figure 2-1 Front side

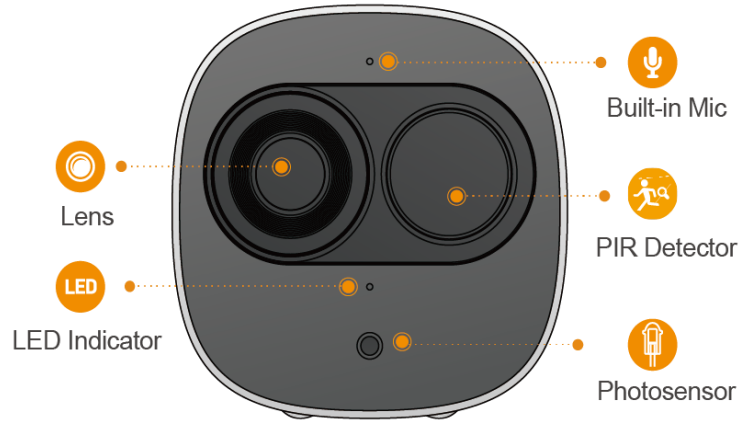


Figure 2-2 Back side



Press and hold the reset button for 10 s to reset the device.

The pattern of the LED indicator is included in Table 2-1.

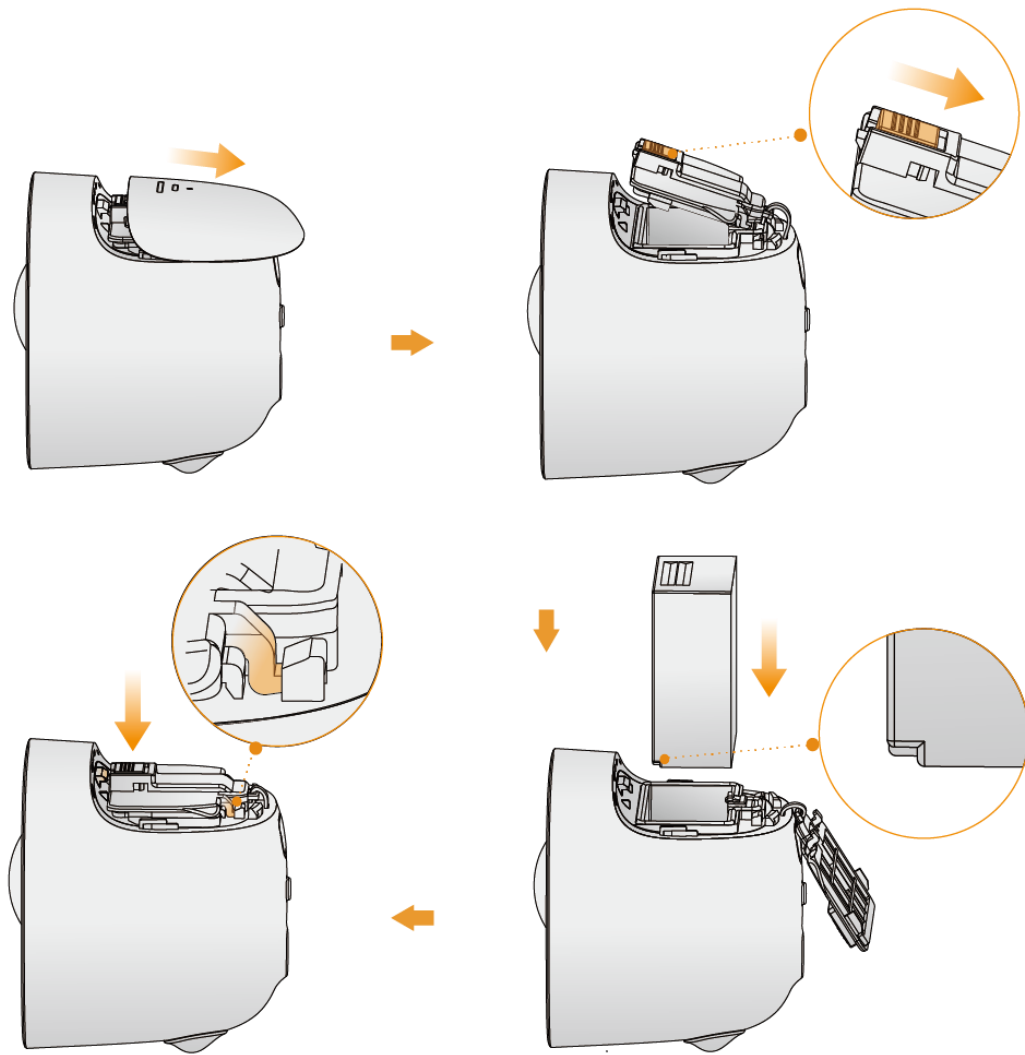
Table 2-1 LED indicator pattern

LED Indicator Status	Device Status
Off	<ul style="list-style-type: none"> • Sleeping mode • Run out if battery
Green light on	<ul style="list-style-type: none"> • Alarm is triggered • Instructed to wake
Green light flashing	Reconnection Wi-Fi
Green light quick flashing	Waiting for pairing with the base station
Green light stay on for 10 s, then off	Pairing succeeded

LED Indicator Status	Device Status
Red light stay on for 10 s, then off	Pairing timeout
Red light stay on for 1 s, then off	Reset completed

3 Installing Battery

Figure 3-1 Installing battery



4 Pairing with Base Station

Step 1 On the base station: Press the SYNC button, and then the indicator on the base station flashes with white light.

Step 2 On the camera: Press the SYNC button, and then the indicator on the camera flashes with green light.

Step 3 The pairing starts, and the indicators flash as described below:

- The system indicator on the base station stays on with white light for 10 s, and then off.
 - The indicator on the camera stays on with green light for 10 s, and then off.
- The pairing succeeded then.



- You can pair six cameras at most with one base station, and pair one camera at a time.
- Keep the distance of the base station and the camera within 30 cm (12 inches) during pairing.

Figure 4-1 Pairing with base station



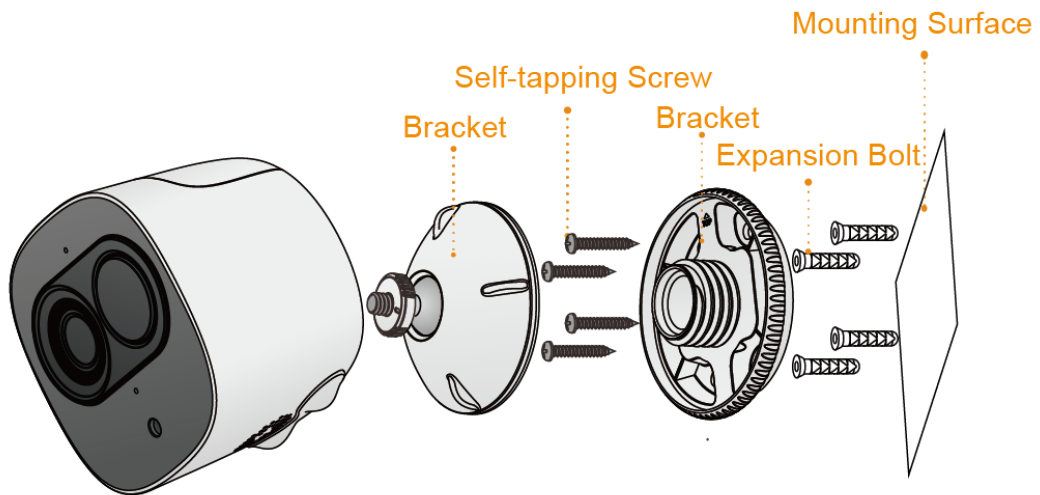
5 Installing Camera



Make sure that the mounting surface is smooth and strong enough to hold at least three times of the device weight.

For the installation diagram and item list of the camera, see Figure 5-1.

Figure 5-1 Installation diagram



- Step 1** Drill screw holes on the mounting surface as the positioning map shows, and then put in the expansion bolts.
- Step 2** Open the bracket, and then attach the bottom of the bracket to the mounting surface with the self-tapping screws.
- Step 3** Attach the other half of the bracket to the camera, then adjust the lens to the ideal angle, and then fix the bracket.

6 FAQ

1. Q: How to reset the camera to factory default?
Press and hold the sync button until you hear beep sound.
2. Q: How to charge the battery?
 - Put the battery in the camera, and charge it through the camera.
 - Purchase a base station for charging the battery.
3. Q: The battery runs out of power too fast?
 - Check whether the camera is waked up frequently by passers-by.
 - Check whether the Wi-Fi connection of the base station and the camera is good.
 - Do not put the camera near air conditioner or the air vent.
4. Q: Fail to pair the camera and the base station?
 - The distance between the camera and the base station is too far.
 - Check whether there are two cameras pairing the base station at the same time.
 - For the paired camera, reset the camera before pairing.
 - Make sure that the base station has been added before pairing.
5. Q: The camera is offline?
 - Check whether the battery runs out of power.
 - Wake up the camera by pressing any button on the camera or PIR function to make sure whether the device is online.
 - Check whether the base station is offline.