

User manual

Code: PFA130-E
CAMERA HOLDER PFA130-EDAHUA

Warning!

Please read the user manual contained in this publication, as it contains important information on the safety of the installation and use of the device.

Only people who have read the user manual can use the device.

The user manual should be kept for future reference. The device must be used only for the purposes indicated in this manual.

The device must be unpacked before commissioning. After unpacking, make sure the device is in good condition.

If the product has defects, it should not be used until it is repaired.

The product is designed for domestic and commercial use and may not be used for purposes other than those intended.

The manufacturer is not responsible for damages resulting from non-compliance with the rules contained in the user manual, therefore it is recommended to follow the aforementioned safety instructions for the operation, use and maintenance of the device. This will ensure your safety and prevent damage to the device.

The manufacturer and the supplier are not responsible for any damage or loss caused by the product, including economic or intangible losses, loss of profits, income, data, enjoyment when using the product or other products related thereto.

- indirect, incidental or consequential loss or destruction. The above will apply regardless of whether the loss or destruction refers to:

1. Deterioration in quality or malfunction of the product or products related to it, due to damage, and lack of availability of the product when it is being repaired, which has caused inactivity, loss of user time or interruption of the company's activity;

2. Inadequate performance of the product or related products;

3. This applies to losses and damages of any legal category, including negligence and other damages, avoidance of contract, express or implied warranty and strict liability (even if the manufacturer or supplier has been notified of the possibility of such damages).

Security measures:

In the design phase, special attention was paid to the quality standards of the device in which the most important factor is to ensure the safety of operation.

The device must be protected from contact with corrosive, dyeing and viscous liquids.

The stand is designed to hide connectors, cables and power supply inside it.

The product meets the IP66 waterproof rating.

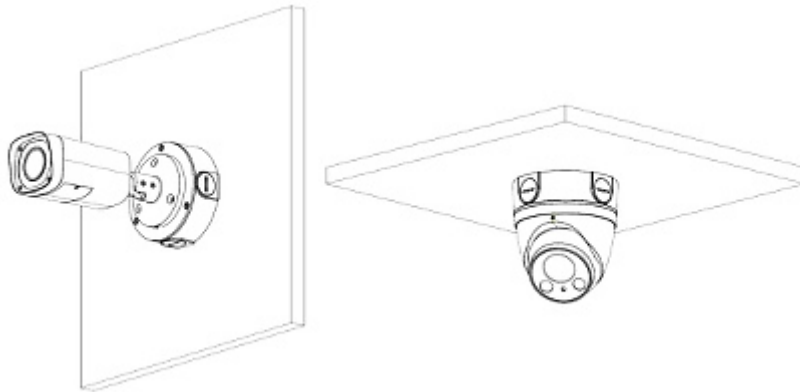


User manual

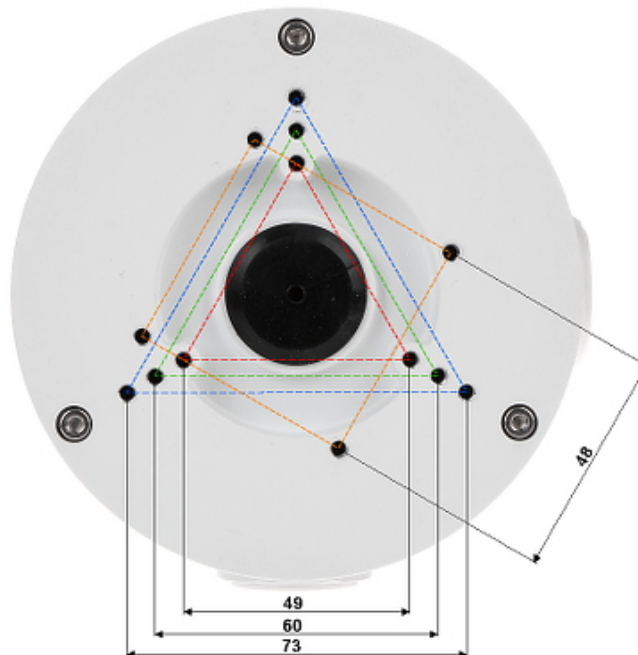
Code: PFA130-E
CAMERA HOLDER PFA130-EDA HUA

Bracket diameter:	Ø 124mm
Suitable for cameras:	DAHUA - downloadable documentation below.
Material:	Aluminum
Color:	White
Distance from mounting surface:	41mm
Weight:	0.38kg
Dimensions:	Ø 124 x 41 mm
Manufacturer/Brand:	DAHUA
Warranty:	3 years

Application example:



Camera mounting side view:



User manual

Code: PFA130-E
CAMERA HOLDER PFA130-EDAHUA

View from wall mounting side:

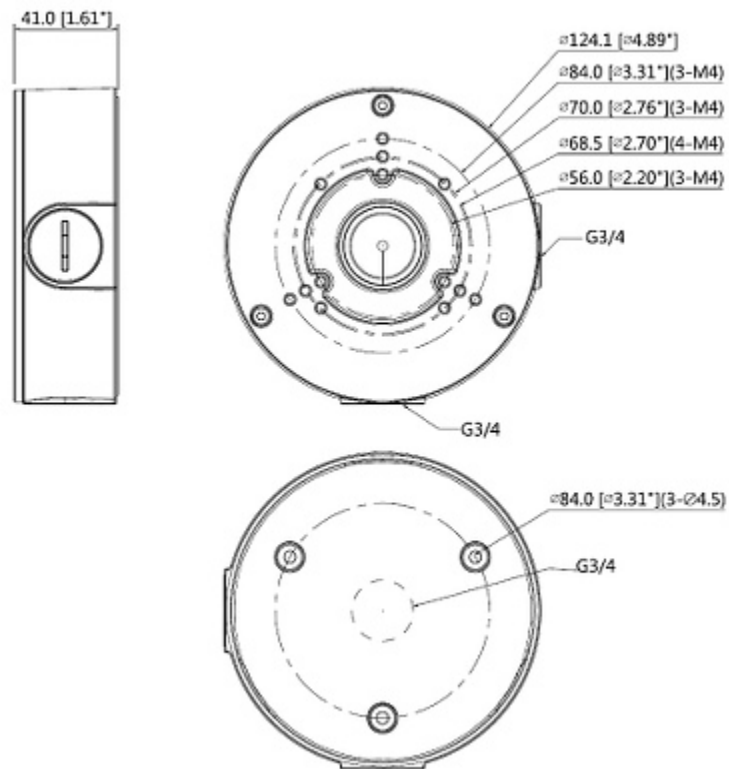


Dimensions:



User manual

Code: PFA130-E
CAMERA HOLDER PFA130-EDAHUA



View of the removed front cover:



Including:

