

AMO-2G10 Quick Start Guide

Package content



Antenna



Foot Clamps (Qty: 2)



round head screws
(qty: 4)



serrated flange nuts
(qty: 4)



RF cables (qty: 2)

installation requirements

- Rocket®M2 (sold separately) 13mm
- wrench
- Category 5 (or higher) shielded cabling must be used for all Ethernet connections and must be connected to the AC ground of the PoE.

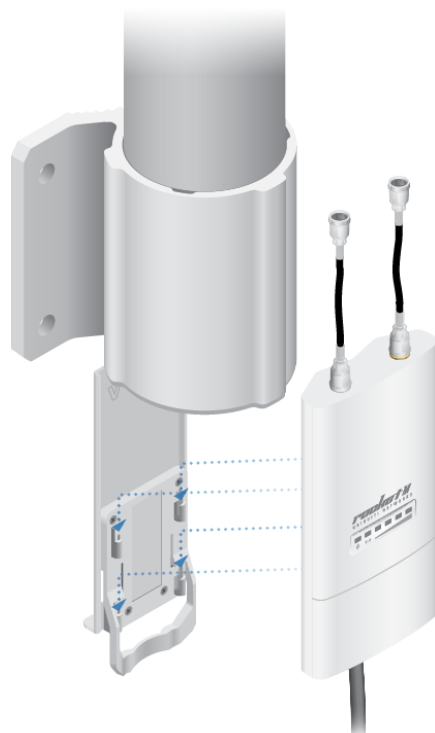
We recommend that you protect your networks from harmful outdoor environments and electrostatic discharge phenomena with Ubiquiti's Industrial Grade Shielded Ethernet Cable. For more information, visit ui.com/toughcable

Device installation

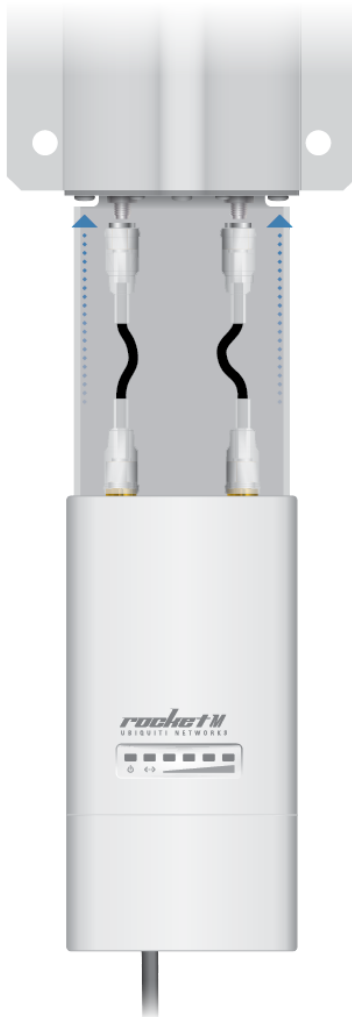
1.



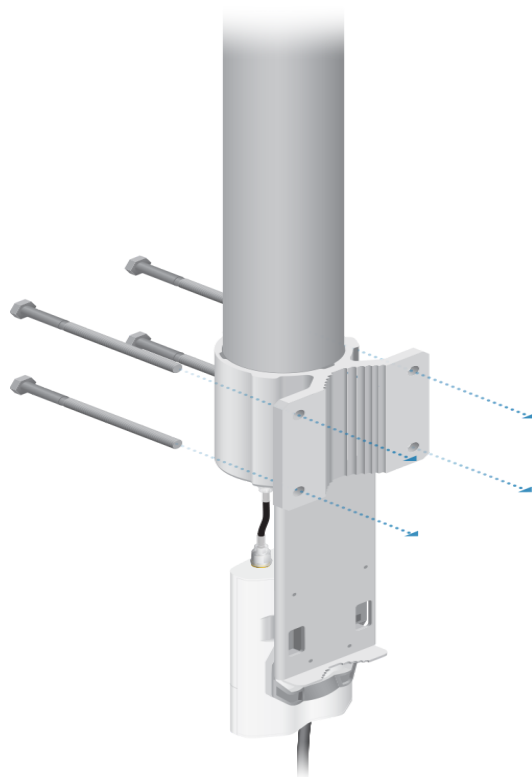
2.



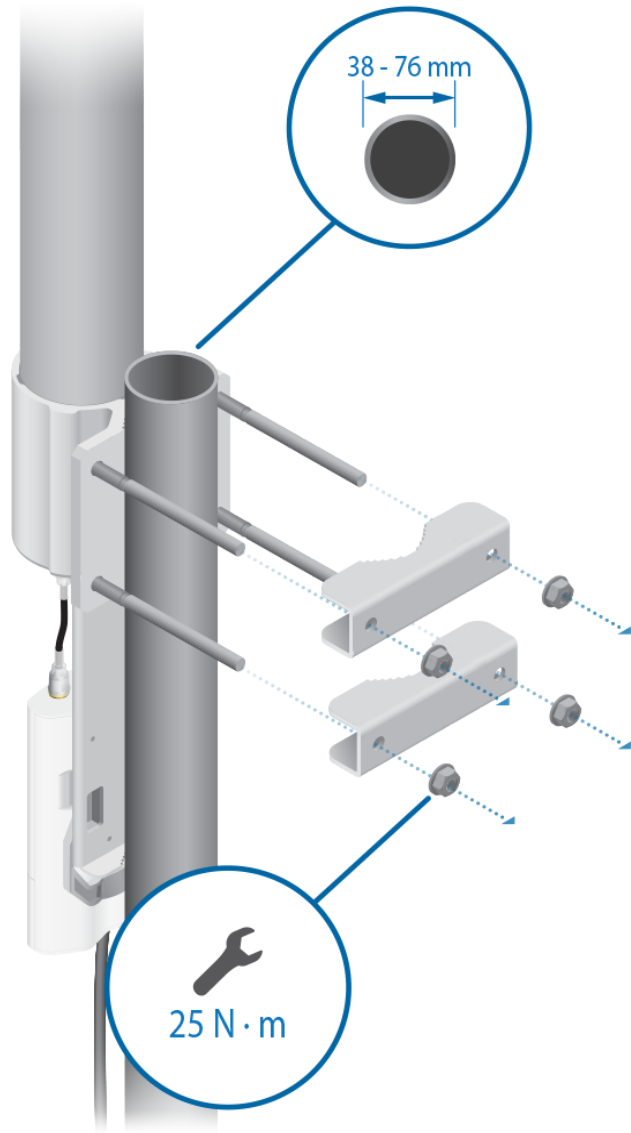
3.



4.



5.



Specifications

AMO-2G10	
Dimensions	1012 x 122 x 105mm (39.84 x 4.8 x 4.13")
Weight with mounting	2.1kg (4.24lbs)
Frequency	2.35 - 2.55GHz
Revenue	10 dBi
lift amplitude	12th
electric tilt down	4th
VSWR max.	1.7:1
Wind resistance	200km/h (125mph)
wind load	97.9 N at 200 km/h (22 lbf at 125 mph)
Polarization	double linear
Cross Polarity Isolation	25dBmin
Radio frequency connectors	Connectors 2 RP-SMA (waterproof)
Mounting	Universal pole mount, RocketM mount and waterproof RF jumpers included
ETSI specification	EN 302 326 DN2

safety instructions

1. Read, follow and save these instructions.
2. Pay attention to all warnings.
3. Only use the devices or accessories indicated by the manufacturer.



WARNING: Do not use this product in a place where it may be submerged in water.



WARNING: Avoid using this product during a lightning storm. There is a remote possibility of an electrical discharge caused by lightning.

electrical safety information

1. It is mandatory to comply with the current, frequency and voltage requirements indicated on the manufacturer's label. Connection to a power source other than those specified may result in malfunction, equipment damage, or fire hazard if limitations are not followed.
2. This equipment contains no operator-serviceable parts. Only a qualified service technician should provide services.

limited warranty

ui.com/support/warranty

The limited warranty requires arbitration to resolve disputes on a case-by-case basis and, where appropriate, specifying arbitration instead of jury trials or class actions.

Compliance

Radio Frequency Exposure Warning

The antenna and transmitter must be installed to maintain a separation distance from people and must not be co-located or used in conjunction with any other antenna or transmitter. For the specific separation distance, see the quick start guide for your Rocket device (transmitter).

[WEEE Compliance Statement](#)

[Declaration of conformity](#)

online resources

