

Package content



Antenna



Foot Clamps (Qty: 2) Pan Head Screws (Qty: 4)



Serrated Flange Nuts (Qty: 4)



Cables RF (cant.: 2)

installation requirements

- Rocket®M5 or RocketM5 GPS (sold separately)
- 13mm wrench
- Category 5 (or higher) shielded cabling must be used for all Ethernet connections and must be connected to the AC ground of the PoE.

We recommend that you protect your networks from harmful outdoor environments and electrostatic discharge phenomena with Ubiquiti's Industrial Grade Shielded Ethernet Cable. For more information, visit ui.com/toughcable

Device installation

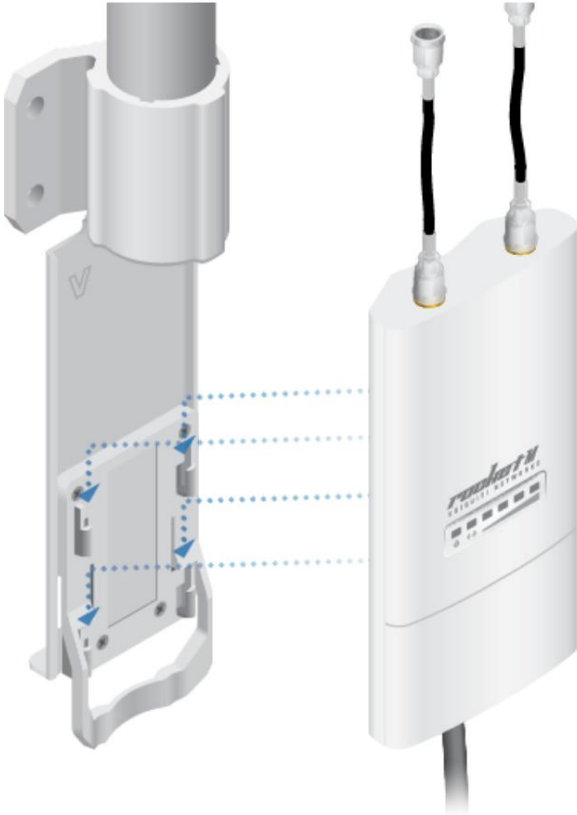
1.

AMO-5G10 Quick Start Guide



2.

AMO-5G10 Quick Start Guide

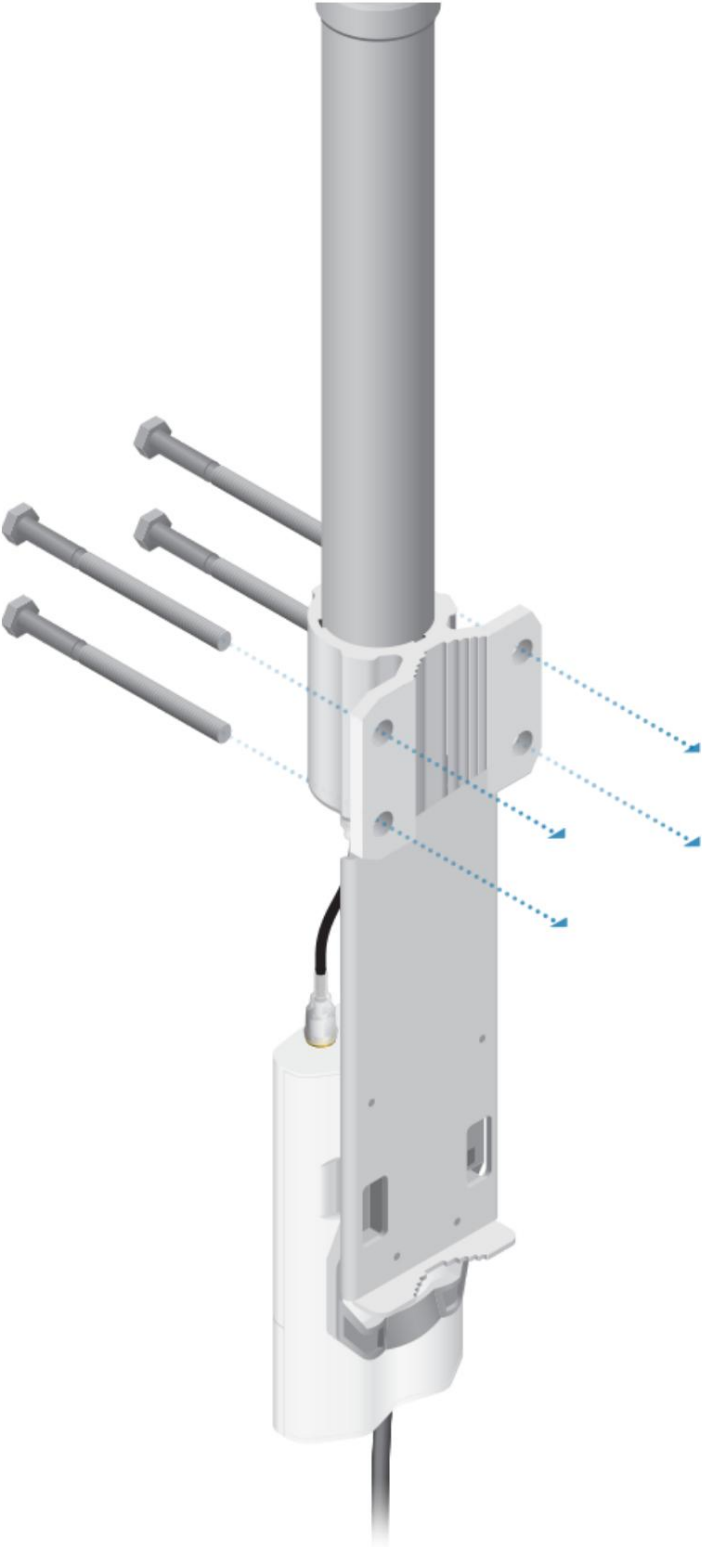


3.

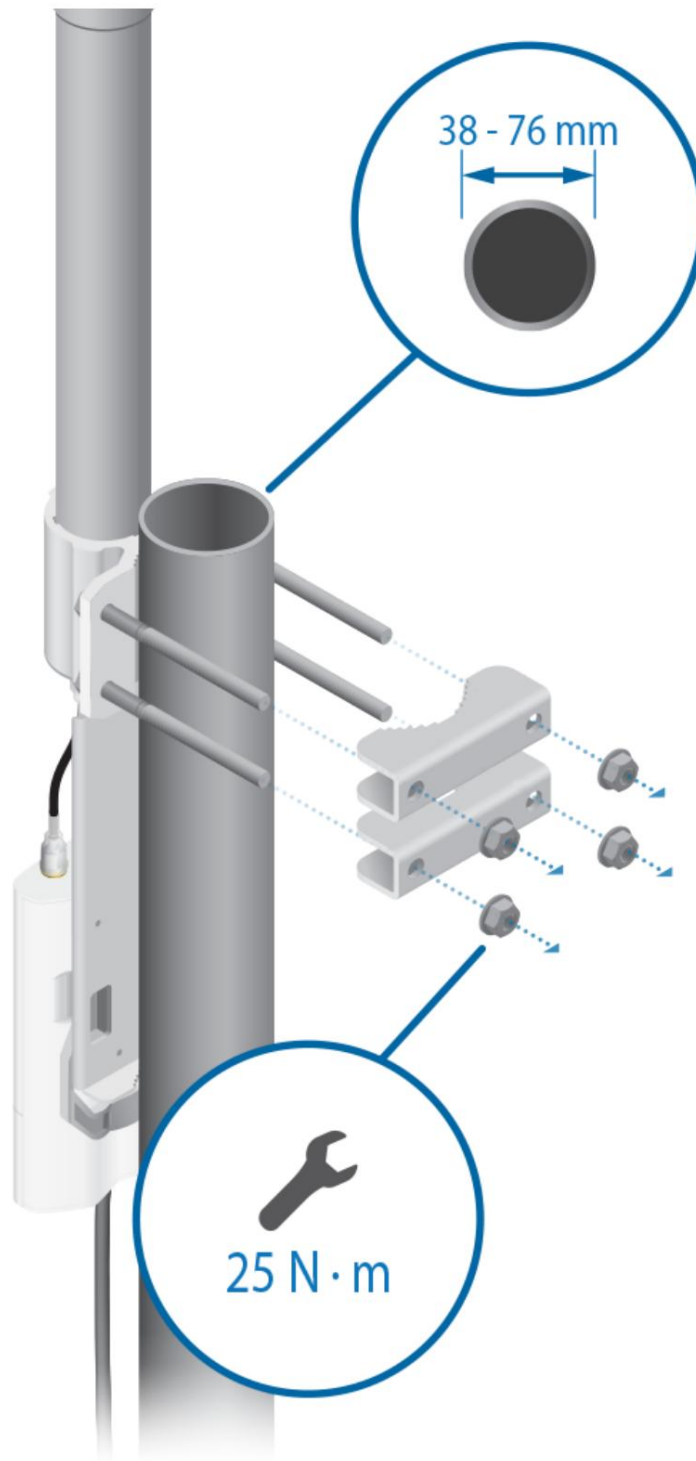
AMO-5G10 Quick Start Guide



AMO-5G10 Quick Start Guide



AMO-5G10 Quick Start Guide



specs

AMO-5G10	
Dimensions	582 x 90 x 65 mm (22,91 x 3,54 x 2,56")
Weight with mounting	0,68 kg (1,50 lb)
Frequency	5,45 - 5,85 GHz

AMO-5G10 Quick Start Guide

Gain	10 dBi
lift amplitude	12°
electric tilt down	4°
VSWR max.	1,6:1
Wind resistance	200 km/h (125 mph)
wind load	71,17 N a 200 km/h (16 lbf a 125 mph)
Polarization	Lineal doble
Cross Polarity Isolation	25 dB min
Radio frequency connectors	Connectors 2 RP-SMA (waterproof)
Mounting	Universal pole mount, RocketM mount and waterproof RF jumpers included
ETSI specification	EN 302 326 DN2

safety instructions

1. Read, follow and save these instructions.
2. Pay attention to all warnings.
3. Only use the devices or accessories indicated by the manufacturer.



WARNING: Do not use this product in a location where it may be submerged in water.



WARNING: Avoid using this product during a lightning storm. There is a remote possibility of an electrical discharge caused by lightning.

electrical safety information

1. It is mandatory to comply with the current, frequency and voltage requirements indicated on the manufacturer's label. Connection to a power source other than those specified may result in malfunction, equipment damage, or fire hazard if limitations are not followed.
2. This equipment contains no operator-serviceable parts. Only a qualified service technician should provide services.

limited warranty

ui.com/support/warranty

The limited warranty requires arbitration to resolve disputes on a case-by-case basis and, where appropriate, specifying arbitration instead of jury trials or class actions.

Radio Frequency Exposure Warning

The antenna and transmitter must be installed to maintain a separation distance from people and must not be co-located or used in conjunction with any other antenna or transmitter. For the specific separation distance, see the quick start guide for your Rocket device (transmitter).

[WEEE Compliance Statement](#)

[Declaration of conformity](#)

online resources

